

EcoSeries

Outdoor Air-Source Heat Pumps

Model - LA MS

Model number		LA 11 MS	LA 16 MS
Temperature operating limits for heating water / air		55 °C / -20 °C	55 °C / -20 °C
Temperature operating limits for air		-20 °C to 35 °C	-20 °C to 35 °C
Heat output / COP at A-7/W35*	kW/-	7,60 / 2,90	9,80 / 2,60
Heat output / COP at A+2/W35*	kW/-	9,10/ 3,40	12,70 / 3,20
Heat output / COP at A+7/W35*	kW/-	10,90 / 4,10	15,40 / 3,70
Heat output / COP at A+10/W35*	kW/-	12,00 / 4,60	16,10 / 3,80
Electrical nominal power consumption at A+2/W35	kW	2,65	3,95
Sound power level	db(A)	63	64
Sound pressure level at distance of 10 m (air outlet side)	db(A)	33	34
Refrigerant R404A	kg	2,50	3,10
Flow rate (heat source)	m ³ /h	2500	4000
Heating water flow rate with an int. pressure differential of	m ³ /h / Pa	1.0 / 3000	1.4 / 4500
Dimensions (W x D x H)**	mm	1360 x 850 x 1360	1550 x 850 x 1570
Weight (incl. packing)	kg	219	264
Control voltage	V	230	230
Supply voltage		1/N/PE~230V, 50Hz	1/N/PE~230V, 50Hz
Starting current with soft starter	A	38	50
Fuse	A	25	32
Defrosting / type of defrosting	A / --	Reverse cycle	Reverse cycle
Device connections for heating		1"	1"

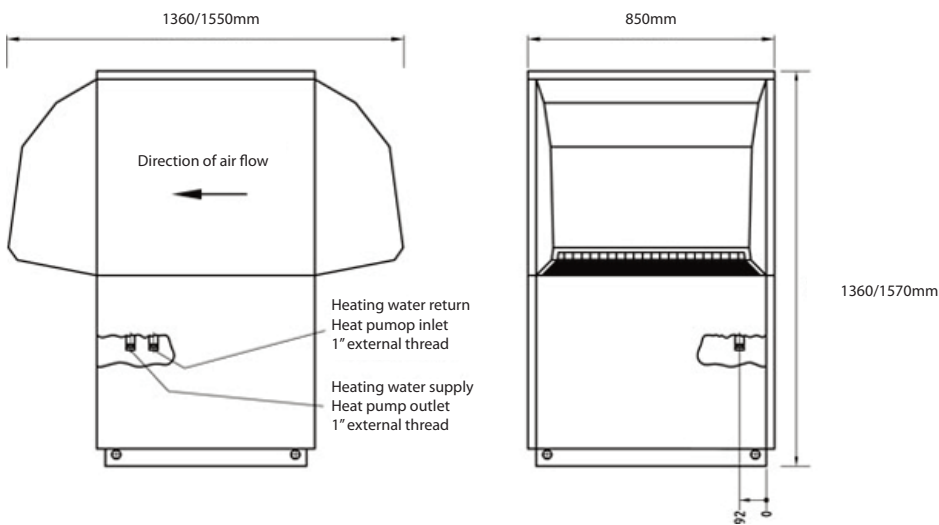
* The specified values have the following meaning, e.g. A+2/W35: heat source temperature +2 °C, heat outlet temperature 35 °C.

** Please note that additional space is required for pipe connections, operation and maintenance.

Page 1 of 2

EcoSeries

Outdoor Air-Source Heat Pumps Model - LA MS



NOBO Heating UK Limited

Head Office:

Unit 15, Gravelly Industrial Park
Tyburn Road, Erdington
Birmingham B24 8HZ
Telephone: 0121 328 5671
Facsimile: 0121 327 8580

Regional Offices:

London & South East
South West
North West
Midlands
Scotland & North East