

EcoSeries

Indoor Air-Source Heat Pumps Model - LITE

Model number		LI 16TE	LI 20TE	LI 24TE	LI 28TE
Temperature operating limits for heating water / Air		58 °C to -25 °C	58 °C to -25 °C	58 °C to -25 °C	58 °C to -25 °C
Temperature operating limits for air		-25 °C to 35 °C	-25 °C to 35 °C	-25 °C to 35 °C	-25 °C to 35 °C
Heat output / COP at A-7/W35*	kW/-	9,80 / 2,60	1 compressor: 7,00 / 2,50 2 compressors: 12,40 / 2,70	1 compressor: 8,90 / 2,60 2 compressors: 16,10 / 2,70	1 compressor: 9,90 / 2,40 2 compressors: 19,10 / 2,70
Heat output / COP at A+2/W35*	kW/-	12,20 / 3,20	1 compressor: 9,30 / 3,20 2 compressors: 14,90 / 3,10	1 compressor: 10,90 / 3,00 2 compressors: 19,20 / 3,20	1 compressor: 12,80 / 3,00 2 compressors: 22,30 / 3,00
Heat output / COP at A+7/W35*	kW/-	15,40 / 3,70	1 compressor: 9,80 / 3,20 2 compressors: 16,60 / 3,10	1 compressor: 13,10 / 3,40 2 compressors: 24,80 / 3,60	1 compressor: 14,20 / 3,10 2 compressors: 25,80 / 3,40
Heat output / COP at A+10/W35*	kW/-	16,10 / 3,80	1 compressor: 10,30 / 3 2 compressors: 17,80 / 3,30	1 compressor: 14,10 / 3,50 2 compressors: 26,60 / 3,80	1 compressor: 14,70 / 3,10 2 compressors: 29,10 / 3,60
Electrical nominal power consumption at A+2/W35	kW	3,81	4,90	6,10	7,40
Sound power level	db(A)	57	58	62	62
Sound pressure level at a distance of 1m (air outlet side)	db(A)	52	54	58	58
Refrigerant R404A	kg	3,10	3,70	4,20	4,30
Flow rate (heat source) at ext. pressure differential	m ³ /h / Pa	4000 / 25.0	5500 / 25.0	8000 / 25.0	8000 / 25.0
Heating water flow rate with an int. pressure differential of	m ³ /h / Pa	1.4 / 4500	1.8 / 6500	2.3 / 5900	2.3 / 5900
Dimensions (W x D x H)**	mm	750 x 875 x 1570	750 x 875 x 1570	750 x 1025 x 1710	750 x 1025 x 1710
Weight (incl. packing)	kg	235	255	310	314
Control voltage	V	230	230	230	230
Supply voltage		3/PE~400V, 50Hz	3/PE~400V, 50Hz	3/PE~400V, 50Hz	3/PE~400V, 50Hz
Starting current with soft starter	A	25	23	24	25
Fuse	A	20	20	25	25
Defrosting / type of defrosting	A / --	Reverse cycle	Reverse cycle	Reverse cycle	Reverse cycle
Device connections for heating		1 1/4"	1 1/4"	1 1/4"	1 1/4"

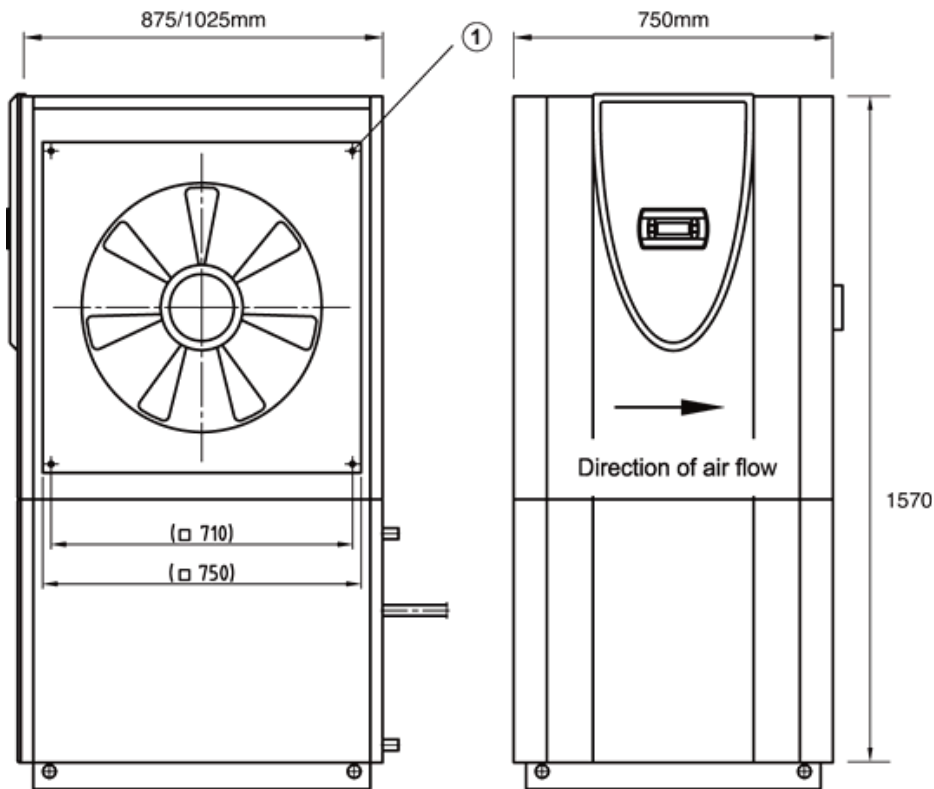
* The specified values have the following meaning, e.g. A+2/W35: heat source temperature +2 °C, heat outlet temperature 35 °C.

** Please note that additional space is required for pipe connections, operation and maintenance.

EcoSeries

Indoor Air-Source Heat Pumps

Model - LITE



NOBO Heating UK Limited

Head Office:

Unit 15, Gravelly Industrial Park
Tyburn Road, Erdington
Birmingham B24 8HZ
Telephone: 0121 328 5671
Facsimile: 0121 327 8580

Regional Offices:

London & South East
South West
North West
Midlands
Scotland & North East