

# EcoSeries

## Indoor Air-Source Heat Pumps

Model - LE ME

Model number		LI 11ME
Temperature operating limits for heating water / Air		58 °C / -25 °C
Temperature operating limits for air		-25 °C to 35 °C
Heat output / COP at A-7/W35*	kW/-	7,60 / 2,90
Heat output / COP at A+2/W35*	kW/-	9,10/ 3,40
Heat output / COP at A+7/W35*	kW/-	10,90 / 4,10
Heat output / COP at A+10/W35*	kW/-	12,00 / 4,60
Electrical nominal power consumption at A+2/W35	kW	2,65
Sound power level	db(A)	55
Sound pressure level at distance of 1 m (air outlet side)	db(A)	50
Refrigerant R404A	kg	2,50
Flow rate (heat source) at ext. pressure differential	m <sup>3</sup> /h / Pa	2500 / 25.0
Heating water flow rate with an int. pressure differential of	m <sup>3</sup> /h / Pa	1.0 / 3000
Dimensions (W x D x H)**	mm	750 x 880 x 1360
Weight (incl. packing)	kg	200
Control voltage	V	230
Supply voltage		1/N/PE~230V, 50Hz
Starting current with soft starter	A	38 SA
Fuse	A	25
Defrosting / type of defrosting	A / --	Reverse cycle
Device connections for heating		1 1/4"

\*The specified values have the following meaning, e.g. A+2/W35: heat source temperature +2 °C, heat outlet temperature 35 °C.

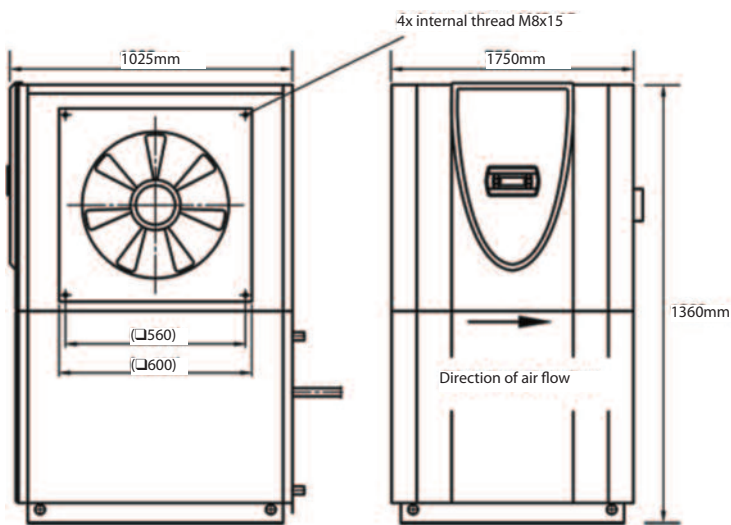
\*\* Please note that additional space is required for pipe connections, operation and maintenance.

Page 1 of 2

# EcoSeries

## Indoor Air-Source Heat Pumps

Model - LE ME



### NOBO Heating UK Limited

#### Head Office:

Unit 15, Gravelly Industrial Park  
Tyburn Road, Erdington  
Birmingham B24 8HZ  
Telephone: 0121 328 5671  
Facsimile: 0121 327 8580

#### Regional Offices:

London & South East  
South West  
North West  
Midlands  
Scotland & North East